

SPECIFICATION:

1' ELECTRICAL:

- 1.1 CURRENT RATING:5A;
- 1.2 CONTACT RESISTANCE:40mΩ Max;
- 1.3 DIELECTRIC WITHSTANDING VOLTAGE:150V AC;
- 1.4 INSULATION RESISTANCE:150V DC/100 MΩ MIN;

2' MECHANICAL:

- 2.1 MATING FORCE:5~20N;
- 2.2 UNMATING FORCE:8~20N;
- 2.3 DURABILITY:10000 CYCLES;6~20N AFTER DURABILITY TEST;

3' MATERIAL:

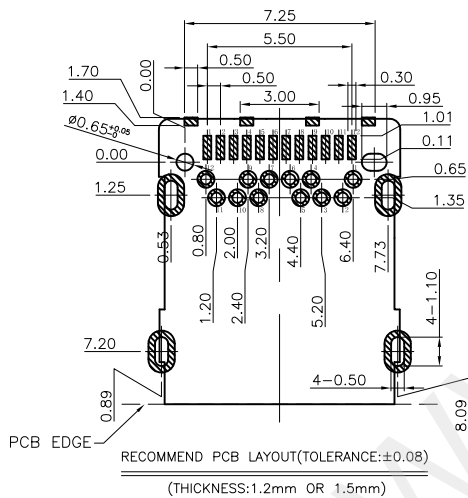
- 3.1 HOUSING&MOLDING:LCP UL94V-0;
- 3.2 TERMINAL:C7025/C18400 T=0.12mm;
- 3.3 SHELL:SUS304 T=0.30mm;
- 3.4 MID PLATE:SUS304 T=0.15mm;

4' PLATING SPECIFICATION:

- 4.1 TERMINAL:CONTACT POINT GOLD PLATED 1u" MIN
PIN WELDING AREA GOLD PLATED 1u" MIN.
- 4.2 SHELL:PLATED Ni 60u" MIN

5' ELECTROPLATED PRODUCTS NEED TO UNDERGO TIN ADHESION TESTING: THE TIN ADHESION AREA SHOULD REACH OVER 95%.

- 6' SMT REFLOW SOLDERING (PEAK VALUE 260 °C ± 5 ° C)
SHALL BE FREE OF BLISTERING, GLUE MELTING AND
POOR COLOR CHANGE (DEFORMATION WITHIN TOLERANCE)
- 7' OPERATING TEMPERATURE : -40°C~+85°C

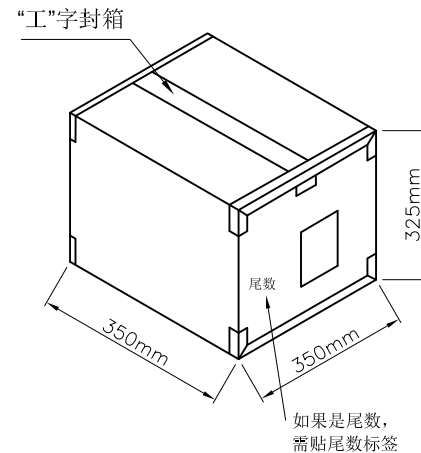
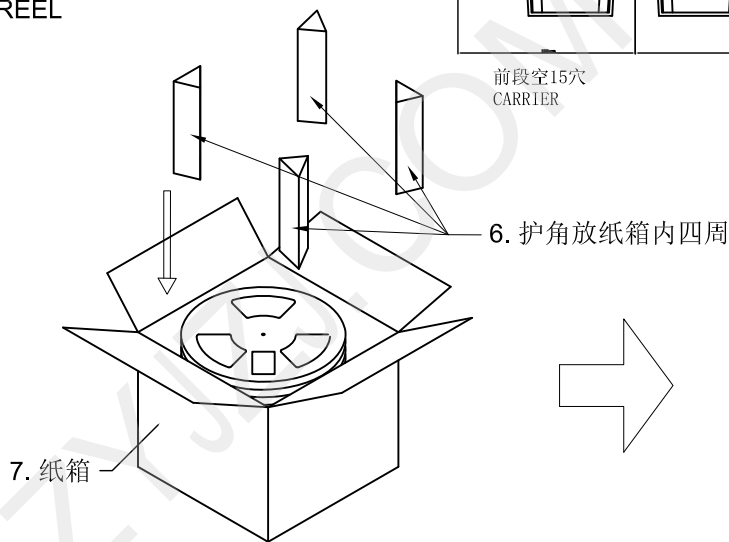
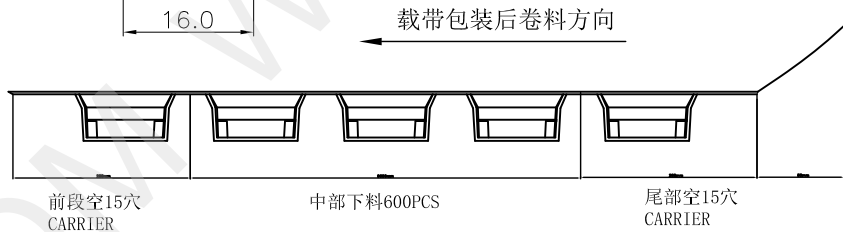
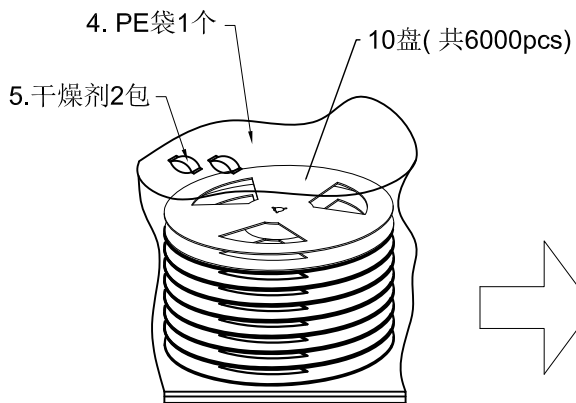
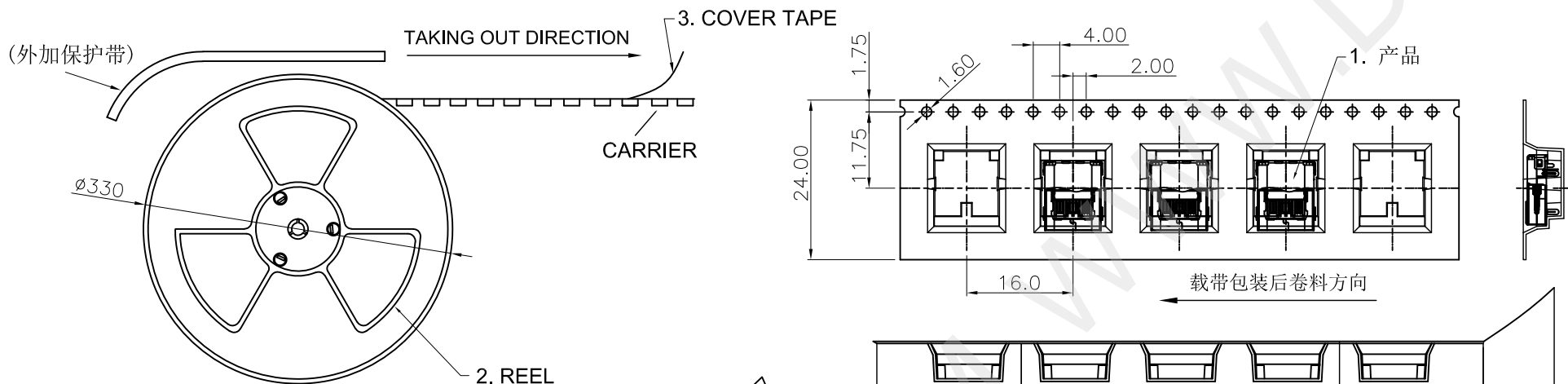


A1	GND	B12	GND
A2	TX1+	B11	RX1+
A3	TX1-	B10	RX1-
A4	VBUS	B9	VBUS
A5	CC1	B8	SBU2
A6	D+	B7	Dn2
A7	D-	B6	Dp2
A8	SBU1	B5	CC2
A9	VBUS	B4	VBUS
A10	TX2-	B3	TX2-
A11	TX2+	B2	TX2+
A12	GND	B1	GND
PIN	SIGNAL NAME	PIN	SIGNAL NAME



深圳市华宇创精密电子有限公司


TOLERANCE: X.X ±0.30 X.XX ±0.25 X.XXX ±0.15 X' ±2' X.X' ±0.5'	DRAWN BY : 陈一鸣	DATE : 2014-02-23	PART NAME: USB TYPE C 母座外壳DIP 端子DIP+SMT
	CHECKED BY : 马跃	DATE : 2014-02-23	PART NO. HYC300-USBC24-108
UNIT: mm [inch] SCALE:1:1 SIZE: A4	APPROVED BY : 邱敏	DATE : 2014-02-23	DRAW NO: HYC-2606021101
			SHEET NO. 1 OF 1



包装数量	净重	毛重			
6000Pcs/箱	4.08Kg	8.35Kg			
7	纸箱	PA-001Z	双坑K=K 350*350*325mm	1PCS	
6	三角柱	PB-002Z	30.5*29cm	4PCS	
5	干燥剂	F001	—	2PCS	
4	PE袋	PE-001Z	71*79.5cm	1PCS	
3	COVER TAPE	PC-004W	21.0mm (自粘带)	若干	
2	REEL	PR-001Z	24.0mm (黑色载带)	10R	
1	产品	HYC300-USBC24-108	—	6K	
序号	品名	料号	规格(mm)	用量(PCS)	

Notes:

- 每卷前后各空15PCS.尾部用美纹胶纸封住,
- 将产品放入载带内,共放600PCS,放满盘后,再卷一圈保护带,保护带最后重叠约50mm,用美纹胶纸将其封住
- 每10卷盘装入一个防水袋,再放入2包干燥剂,然后放入1个外箱内;纸箱内四周放护角;
- 在搬运过程中要轻拿轻放.
- 在运输中不可堆放过多,不可有重压现象.
- 跌落测试条件:
成品箱子从1.5米高自由落体:(三棱六面一角)检验项目:
1.产品不可跑出下带凹槽.
2.产品不可有摔伤,变形.
3.外箱及内包装材料不可严重破损.



深圳市华宇创精密电子有限公司

TOLERANCE: X.X ±0.30 X.XX ±0.25 X.XXX ±0.15 X.' ±2' X.X' ±0.5'	DRAWN BY : 陈一鸣	DATE : 2014-02-23	PART NAME: 包装图	
	CHECKED BY : 马跃	DATE : 2014-02-23	PART NO.	
UNIT: mm [inch]	APPROVED BY : 邱敏	DATE : 2014-02-23	DRAW NO:	
SCALE: 1:1 SIZE: A4			SHEET NO.	1 OF 1